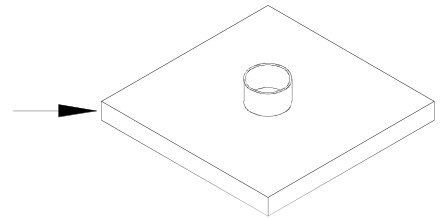
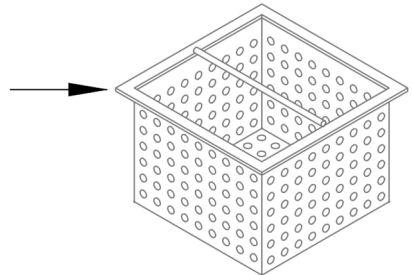


SIDE SECTION
SCALE 1:10

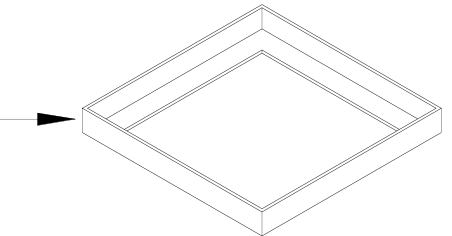
GASTIGHT GRC LID CAST WITH 50mm DIA SOCKET



REMOVEABLE STAINLESS STEEL MESH BASKET 3mm DIA HOLES

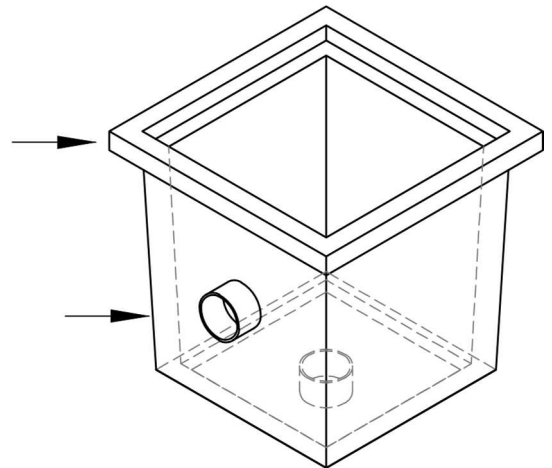


STAINLESS STEEL FRAME



GR CONCRETE PIT

ALTERNATIVE 50mm DIA PVC-U OUTLET WITH FIXED STAINLESS STEEL FINAL SCREEN



PRODUCT NOTES

1. OPTIONAL OUTLET POSITION FOR EASE OF INSTALLATION.
2. STANDARD INLET/OUTLET IS 50MM DIA PVC-U. OTHER DIAMETERS AVAILABLE ON REQUEST.
3. FINER FILTER MEDIA OR SCREENS AVAILABLE FOR SMALLER WASTE PARTICLES.
4. STAINLESS STEEL FILTERS ENSURE DURABILITY.
5. AIRTIGHT LID PREVENTS ODOUR LEAKAGE.
6. IDEAL AS AN UNDER-SINK ARRESTOR FOR DENTAL SURGERIES, PLASTER MOULDERS, ETC.
7. MPa RATING FOR GRC - 60 MPa @ 28 DAYS.

PRODUCT CODE	A	B	MASS (KG)	PRODUCT CODE	A	B	MASS (KG)
PST1S (SIDE OUTLET)	330	320	15	PST1B (BOTTOM OUTLET)	330	320	15

SPECIFICATION

Glass Reinforced Concrete Plaster/Solids Trap free of steel reinforcement to prevent corrosion.
Plaster/Solids Trap to be Mascot Engineering GRC, model number....., complete with GRC cover.
Products to be installed as per the manufacturers installation instructions

Copyright



PRODUCT DESCRIPTION:
PLASTER/SOLIDS TRAP

ph: 1300 885 295
fax: 1300 885 296
email: sales@mascoteng.com.au
www.mascotengineering.com.au

SCALE: 1:10
REVISION: A
DRAWING NO: TW.PST.001